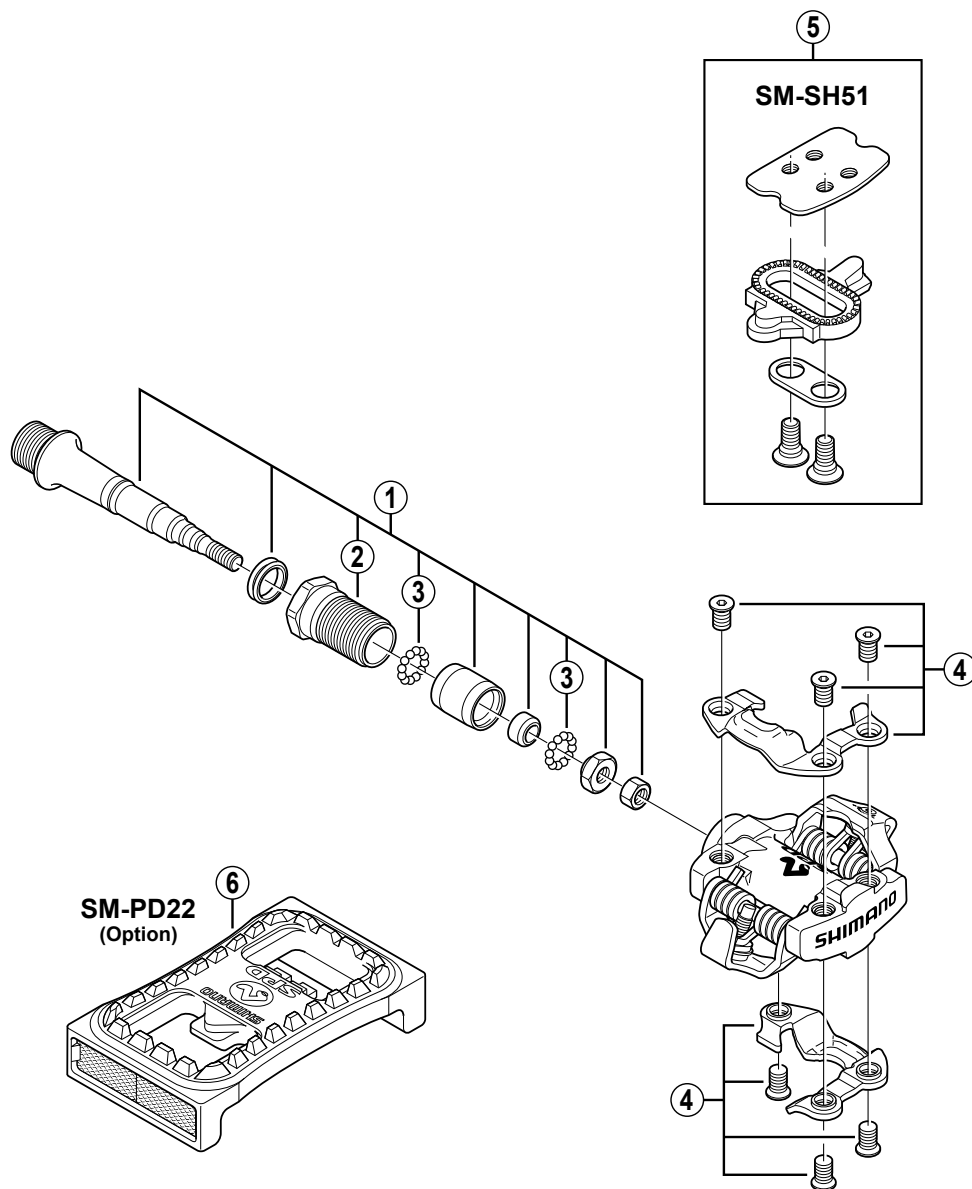


SPD Pedals
PD-M959



Q'TY	ITEM NO.	SHIMANO CODE NO.	DESCRIPTION
	1	Y-41R 98010	Pedal Axle Assembly (Right / B.C. 9/16" x 20T.P.I.)
		Y-41R 98020	Pedal Axle Assembly (Left / B.C. 9/16" x 20T.P.I.)
	2	Y-41R 98030	Lock Bolt (Right)
		Y-41R 98040	Lock Bolt (Left)
	3	Y-41N 98030	Steel Ball (3/32") 62 pcs.
	4	Y-41R 98050	Body Cover (Right) & Fixing Bolts
		Y-41R 98060	Body Cover (Left) & Fixing Bolts
	5	Y-424 98200	SM-SH51 Cleat Set (Single Release Mode / Pair)
	6	Y-41R 98070	SM-PD22 Reflector Unit (Pair)