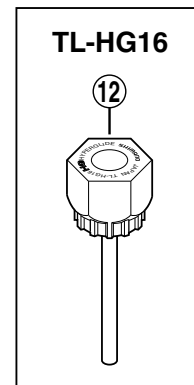
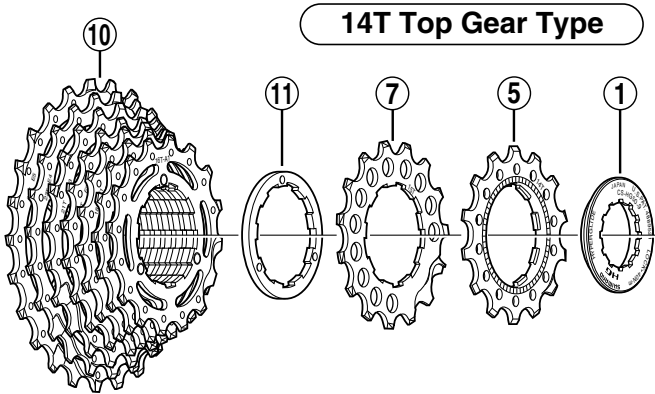
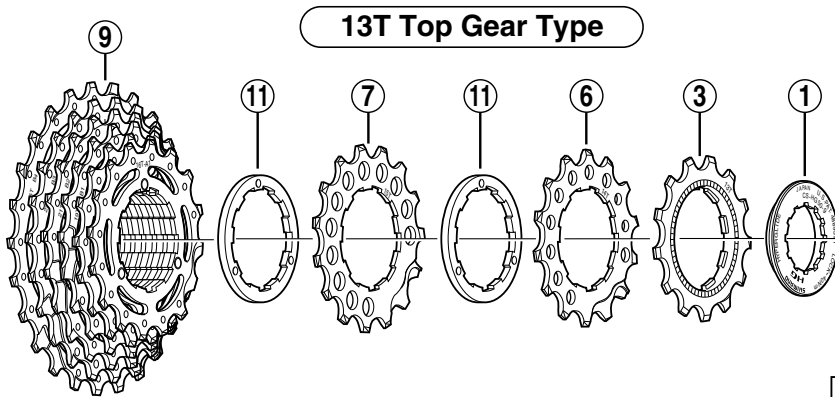
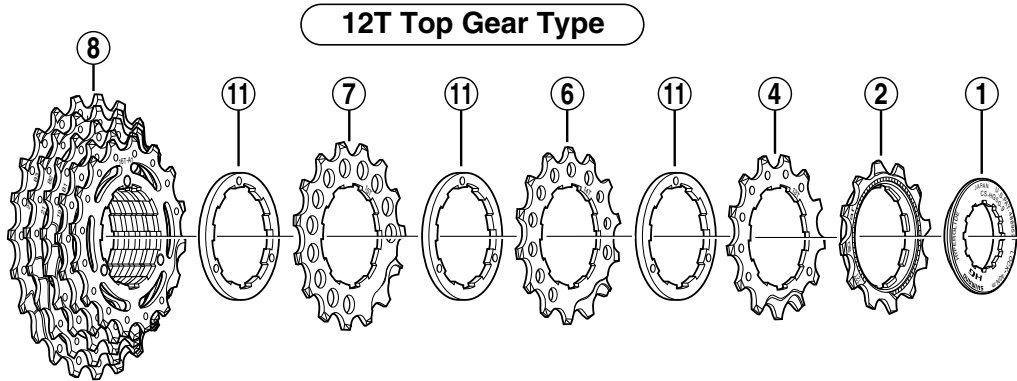


- You may photocopy this sheet and use it as an order form.
- Sie können dieses Blatt kopieren und als Bestellformular verwenden.
- Vous pouvez photocopier cette feuille et l'utiliser comme bon de commande.
- Dit blad kan gecopieerd en als bestelformulier gebruikt worden.
- Potete fotocopiare questo foglio e usarlo come modulo di commissione.

### SHIMANO TIAGRA Cassette Sprocket **CS-HG50-9** 9-Speed

### CS-HG50-9 sprocket teeth combinations

12 - 23T	12-13-14-15 - <u>16-17-19-21-23</u> T
12 - 25T	12-13-14-15 - <u>17-19-21-23-25</u> T
13 - 25T	13-14-15 - <u>16-17-19-21-23-25</u> T
14 - 25T	14-15 - <u>16-17-18-19-21-23-25</u> T



ITEM NO.	SHIMANO CODE NO.	DESCRIPTION
1	Y-10B 01000	Lock Ring
2	Y-10R 12001	Sprocket Wheel 12T (Built in spacer type)
3	Y-10P 13001	Sprocket Wheel 13T (Built in spacer type)
4	Y-10R 13001	Sprocket Wheel 13T
5	Y-10P 14001	Sprocket Wheel 14T (Built in spacer type)
6	Y-10R 1400E	Sprocket Wheel 14T
7	Y-10R 1500E	Sprocket Wheel 15T
8	Y-10B 98010	Sprocket Unit (16 - 17 - 19 - 21 - 23T)
	Y-10B 98020	Sprocket Unit (17 - 19 - 21 - 23 - 25T)
9	Y-10B 98030	Sprocket Unit (16 - 17 - 19 - 21 - 23 - 25T)
10	Y-10B 98040	Sprocket Unit (16 - 17 - 18 - 19 - 21 - 23 - 25T)
11	Y-357 64251	Sprocket Spacer (t=2.56 mm)
12	Y-120 09190	Lock Ring Removal Tool (TL-HG16)