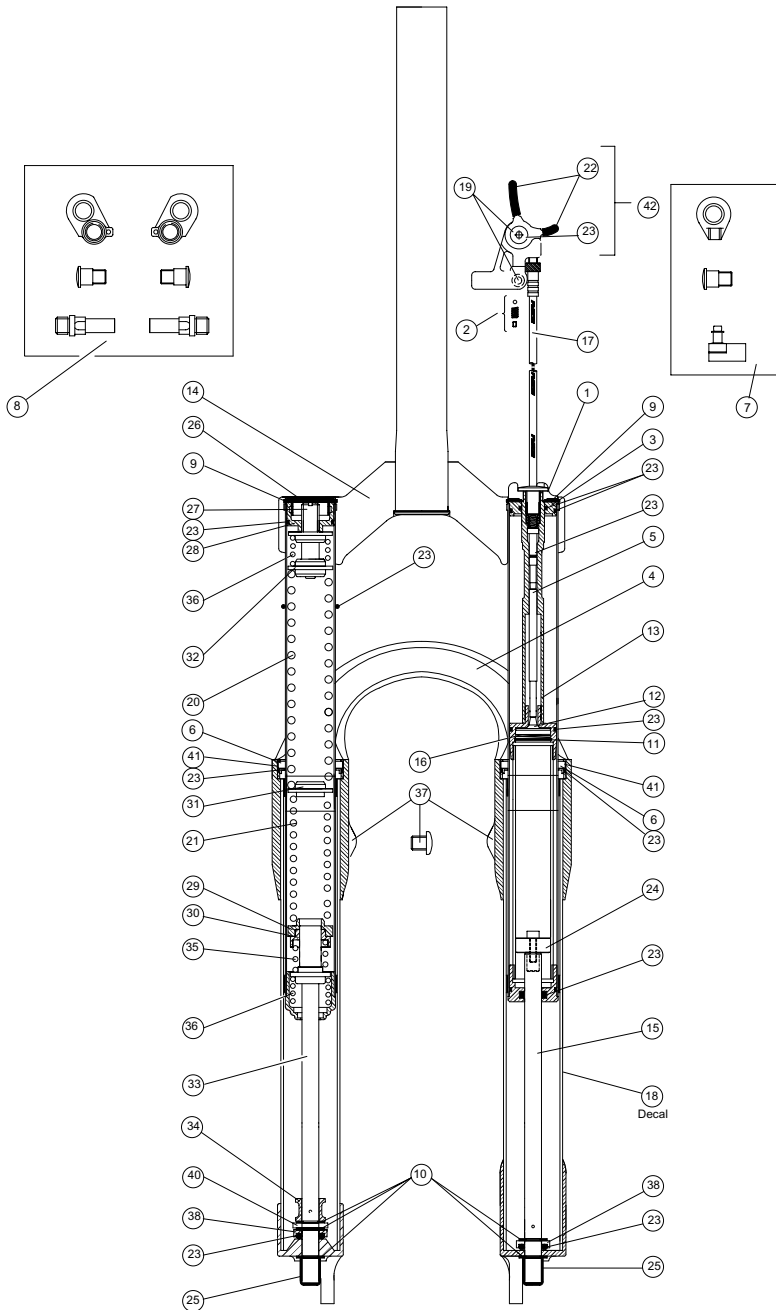




# 2003 RC36 | Stealth (Lock-Out)



REF	DESCRIPTION	PART No	QTY
1	Adjuster Knob Three Arm	SFUP-2305	1
4	Carbon One-Piece Lower Assy	SFAUP-2312	1
13	Control valve Assy. RC36 Lockout	SFAUP-2207	1
10	Circlip Damper/Spring Push Rod	SFUP-903	5
5	Compression Adjuster Extension	SF36-2208	1
12	Control Valve	SFUP-2206	1
11	Control Valve Circlip	SFUP-801	1
37	Cover Plug 'V' Brake	SFUP-2330	2
9	Crown Circlip	SFUP-902	2
14	Crown/Stanchion/Steerer Assembly	SFAUP-2314	1
24	Damper Piston Assembly	SFA36-901	1
15	Damper Rod Assembly	SFA36-2323	1
18	Decal Kit	SF36-2327	1
25	End Tip	SFUP-001	2
42	Lockout Full Kit (Forged Body)	SFAUP-2210	1
17	Lock out Cable Assembly	SFUP-2352	1
2	Lock Out Detent Kit Assembly	SFAUP-017	1
22	Lockout Lever Grip Assy	SFAUP-022	1
19	Lock Out Lever Screw Kit	SFAUP-023	1
20	Main Spring A L125xOD26	SF36-111	1
21	Main Spring B L76xOD23	SF36-2317	1
	Main Spring assembly -Hard	SFA36-2325	1
23	O'/Quad Ring Kit	SFA36-2324	1
26	Plug - Preload	SFUP-103	1
27	Pre Load Adjuster	SF36-2315	1
28	Pre Load Adjuster Body	SF36-2316	1
16	Spring Control Valve	SFUP-032	1
29	Spring Guide Lower Type 1	SF36-114	1
30	Spring Guide Lower Type 2	SF36-2318	1
31	Spring Guide Middle	SF36-116	1
32	Spring Guide Upper	SF36-117	1
36	Spring Initial L19xOD22.75	SF36-121	2
34	Spring Push Rod - Bump Stop	SF36-2327	1
33	Spring Push Rod Assembly	SFA36-2319	1
35	Spring Supplementry L18.5xOD20	SF36-120	1
38	Support Washer For 'O' Ring	SFUP-104	2
3	Top Plug - Lockout	SFUP-034	1
40	Washer - Spacer Spring Push Rod	SFUP-003	1
41	Wiper Housing	FOUP-2313	2
6	Wiper Seal 28.6mm	SFUP-201	2
<b>Option 1</b>			
8	Brake Mount Assembly	SFAUP-2311	1
<b>Option 2</b>			
7	Hose Guide Kit	SFAUP-2328	1
<b>Option 3 (Only as original equipment)</b>			
	Titanium Aluminium Nitride	SFAUP - 2338B	2

